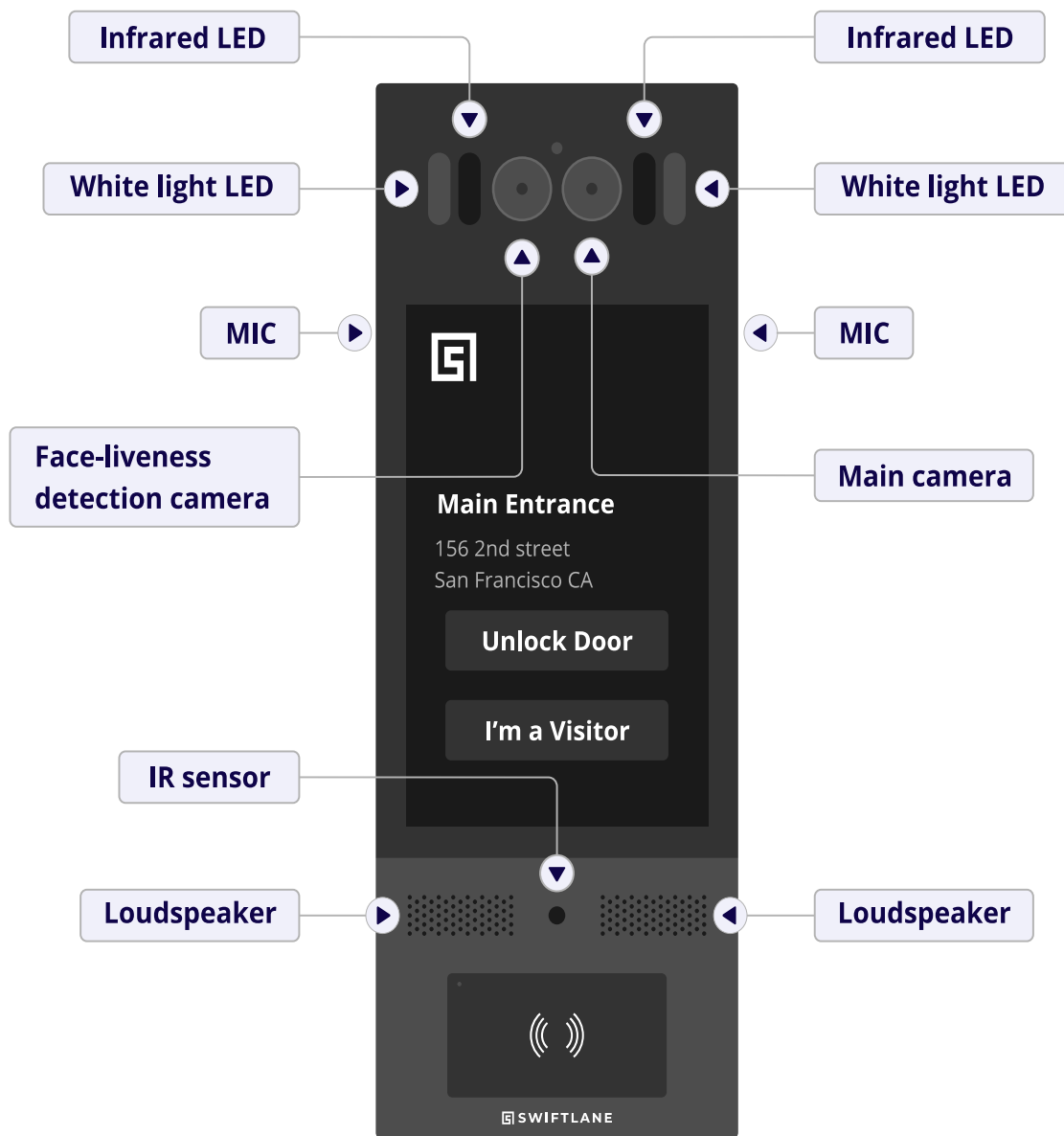


SL-SRX-1 - Product overview



Features

- Face recognition access
- Mobile app access
- Multi-tenant video intercom
- PIN access
- Visitor temporary PIN access
- Cloud based access control management
- Uses built in relays or external secure relay board
- General purpose inputs for postal lock boxes, Amazon Key for Business and other applications

See all installation manuals:

<https://www.swiftlane.com/swiftlane-installation-manual/>

Scan QR code to visit all installation manuals

Support
support@swiftlane.com
833-60-SWIFT / 833-607-9438

Sales
contact@swiftlane.com
505-65-SWIFT / 505-657-9438



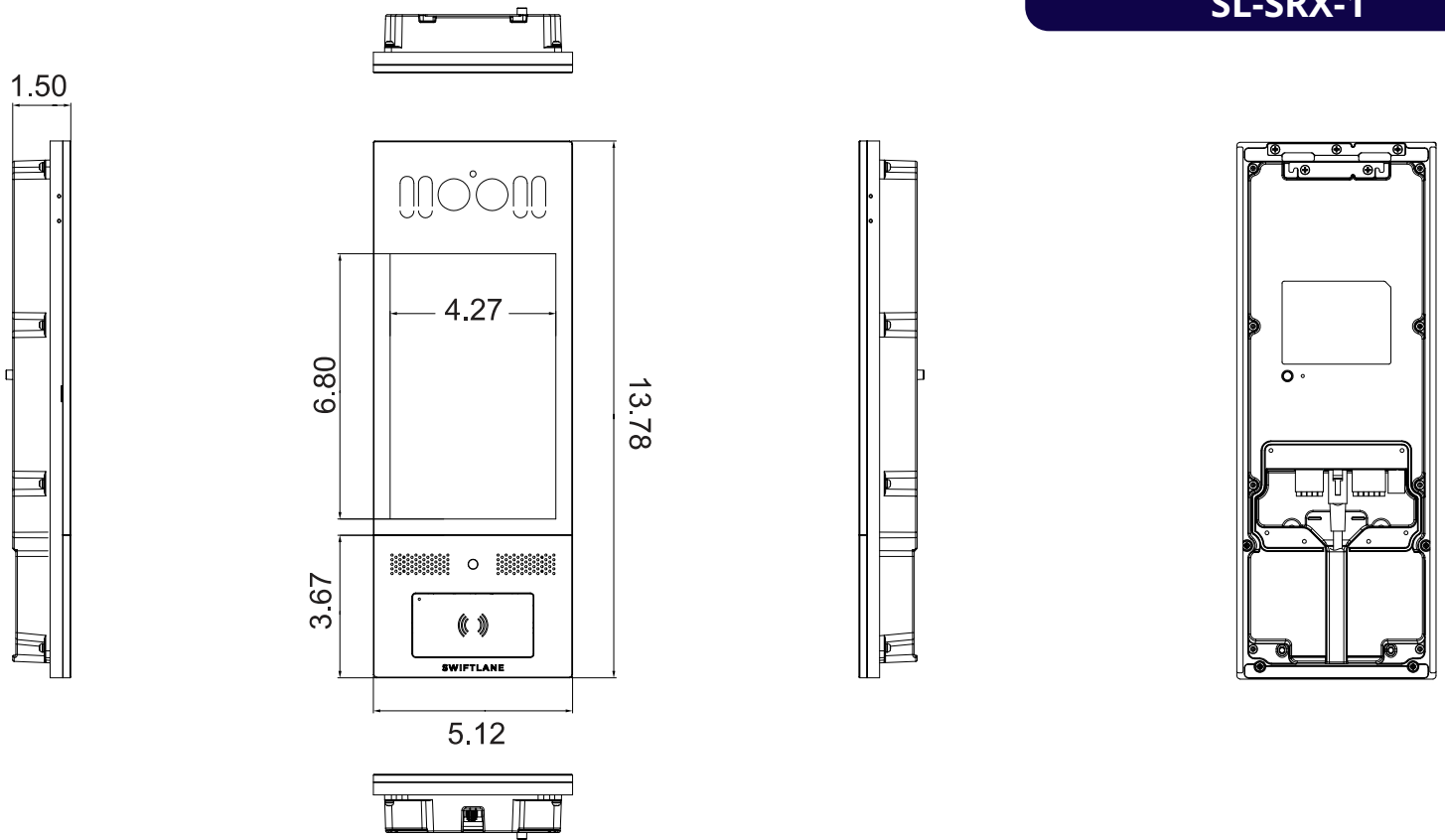
SWIFTLANE

Swiftlane Inc.
743 Clementina St., San Francisco, CA

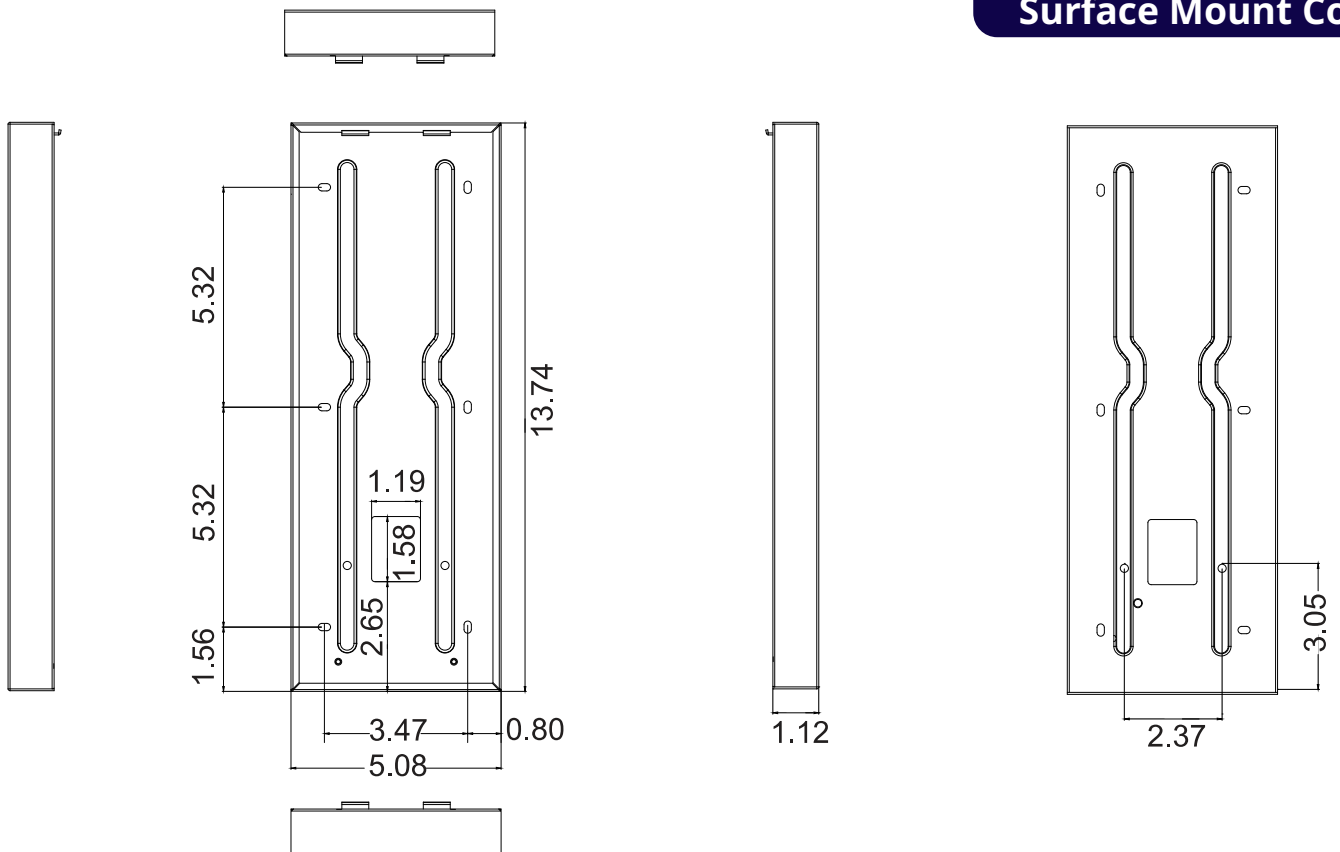
Website: <https://www.swiftlane.com>

Dimensions (inches)

SL-SRX-1

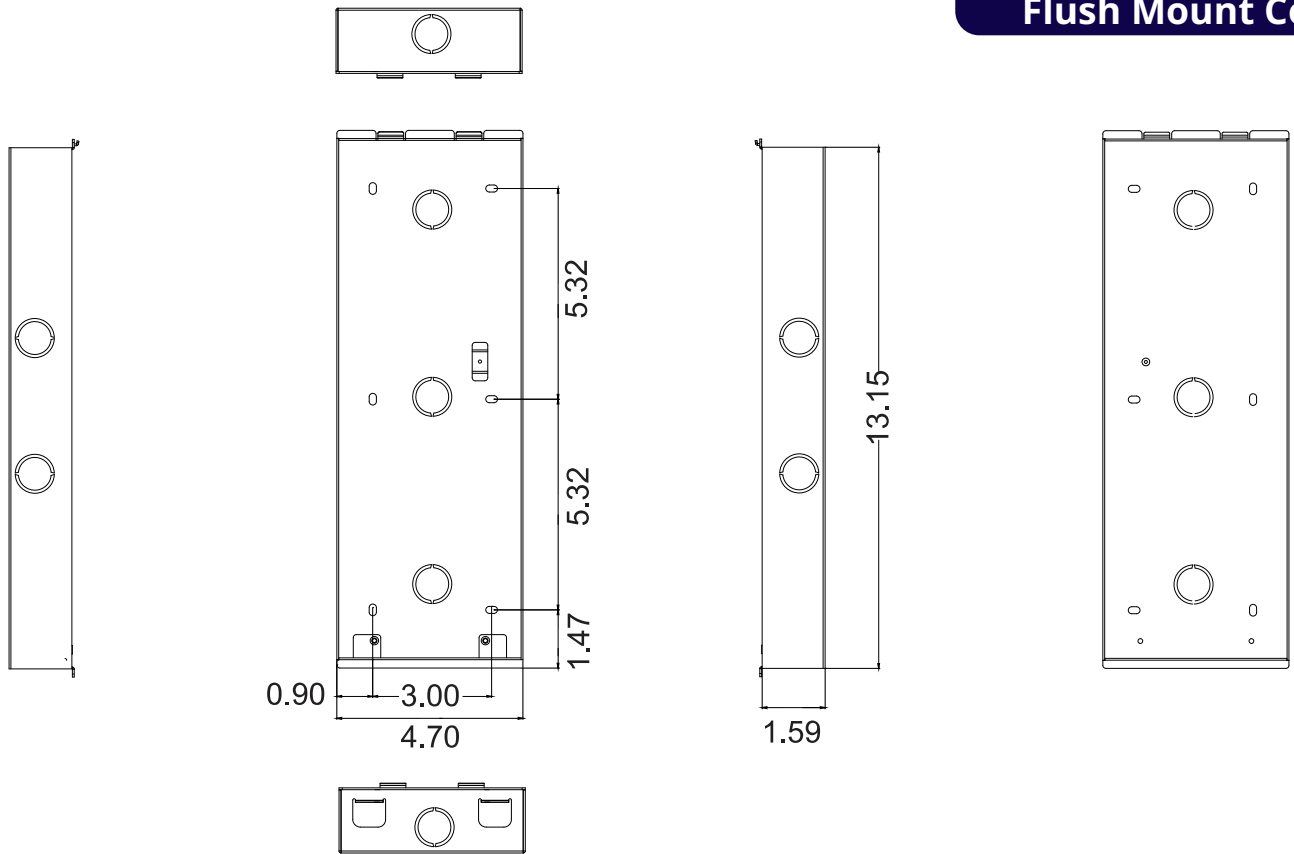


Surface Mount Cover



Dimensions (inches)

Flush Mount Cover

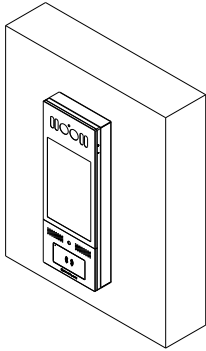


Note: For other bracket dimensions, please refer to specific data sheets from the installation page:
<https://www.swiftlane.com/swiftlane-installation-manual/>

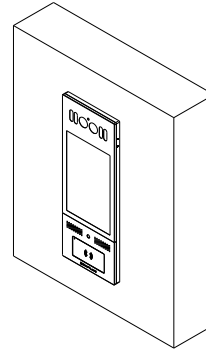


Installation Options

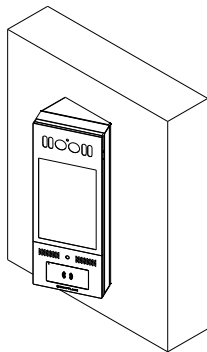
Review the appropriate installation process for your backplate



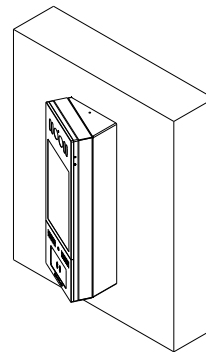
SURFACE MOUNT



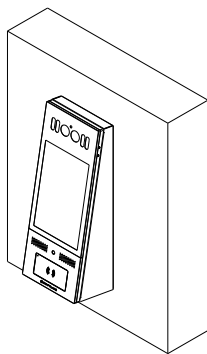
FLUSH MOUNT



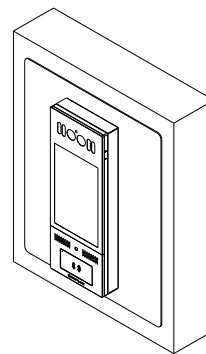
SURFACE MOUNT - RIGHT SIDE



SURFACE MOUNT - LEFT SIDE



SURFACE MOUNT - ADA



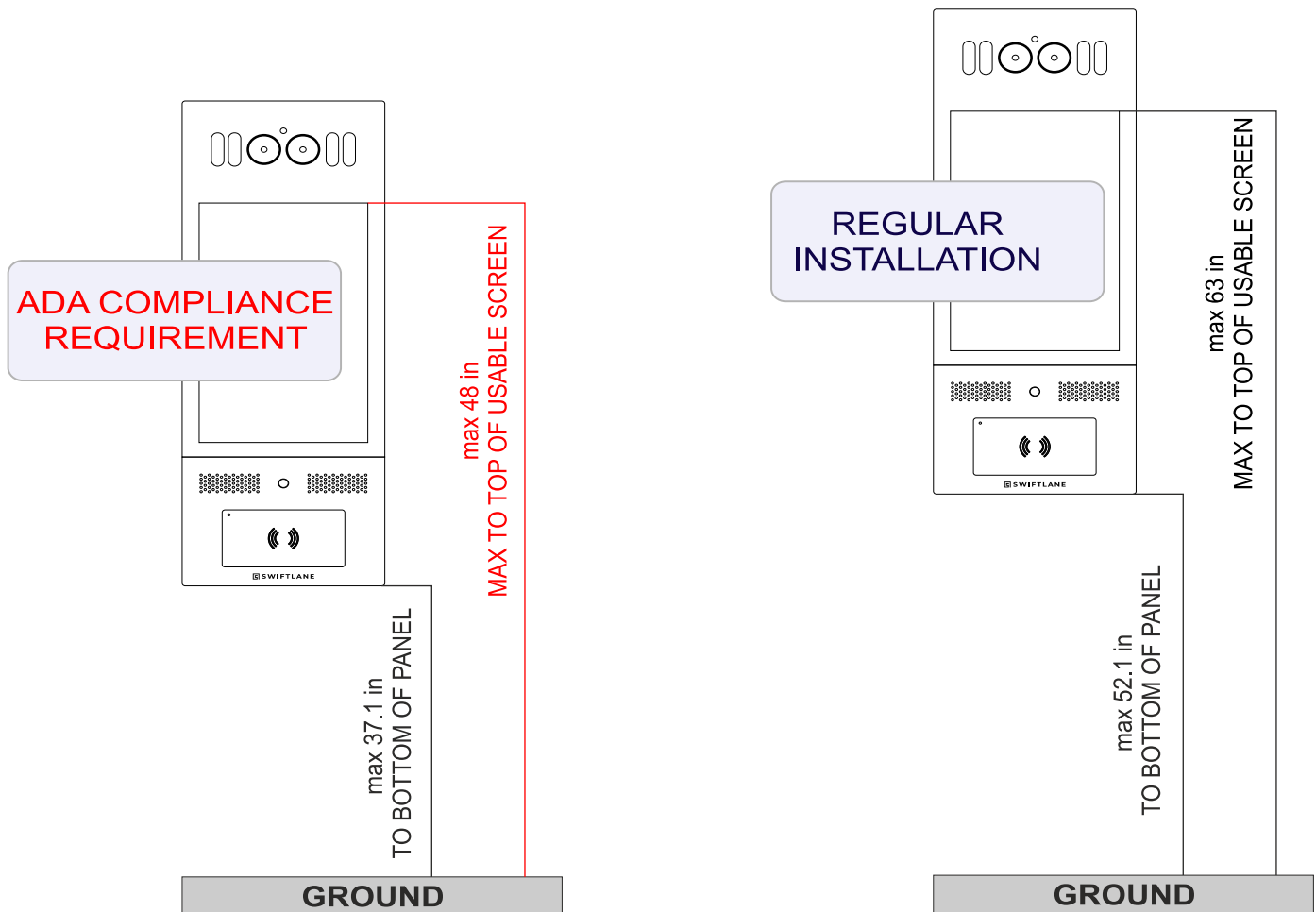
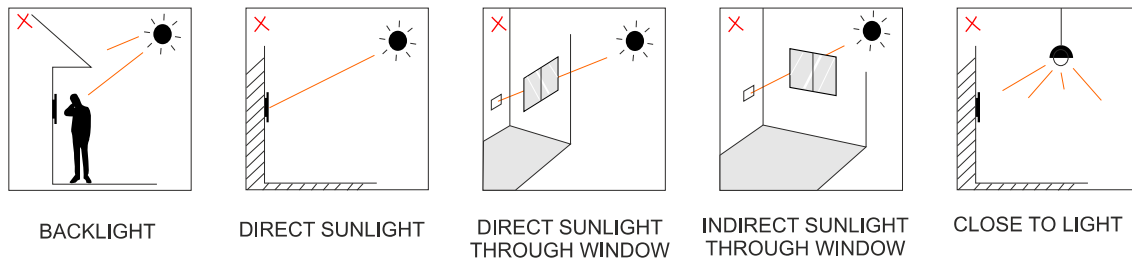
SURFACE RETROFIT PLATE

Note: please refer to complete dimension drawings for each mount option on the installation page:
<https://www.swiftlane.com/swiftlane-installation-manual/>



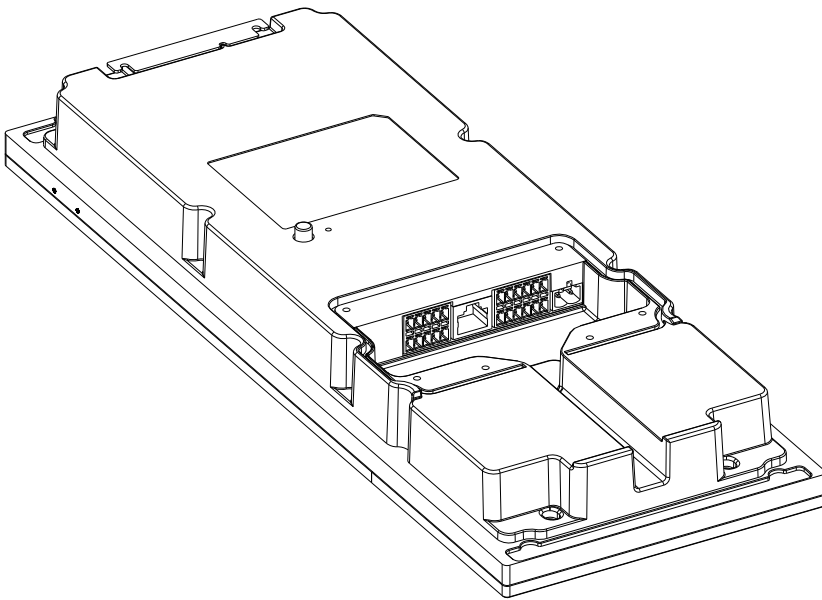
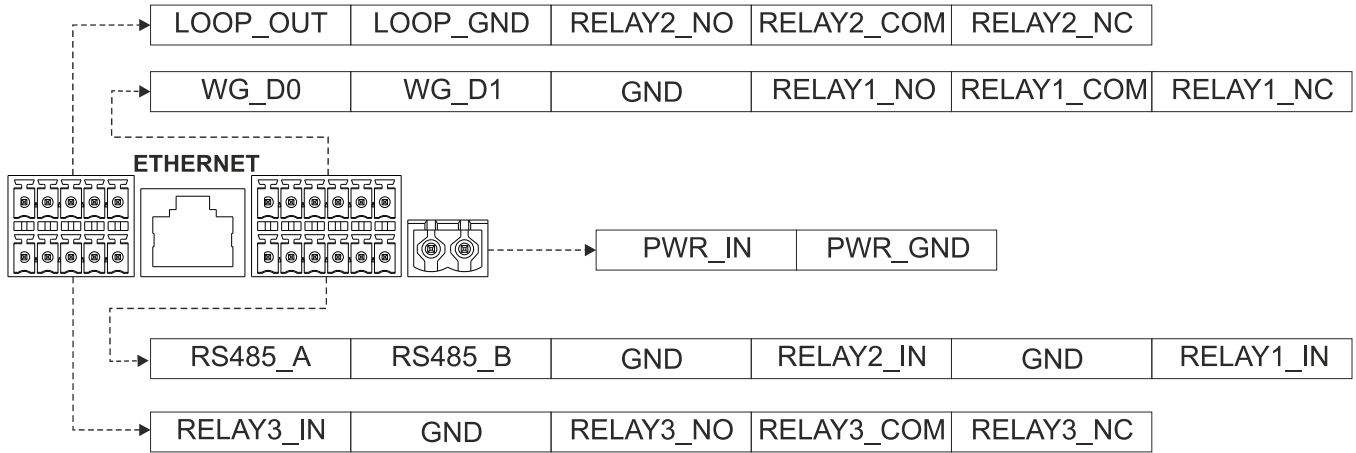
Installation Environment / Installation Height

- Indoor and outdoor installation are supported.
- If installing the device outdoors, please do not place device under direct sunlight.
- If installing the device indoors, please keep device at least 2 meters away from light, and at least 3 meters away from window and door.



Note: ADA requirements apply to buildings with public accommodations. e.g. if the building has a park or hall that's open to the public. Private residences like apartments that do not have a public space, do not require ADA compliance. Please check local laws based on your jurisdiction

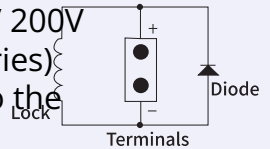
Terminals



WARNING

When you connect a device containing a coil, such as a relay or an electromagnetic lock, it is necessary to protect the intercom against voltage peaks while switching off the induction load.

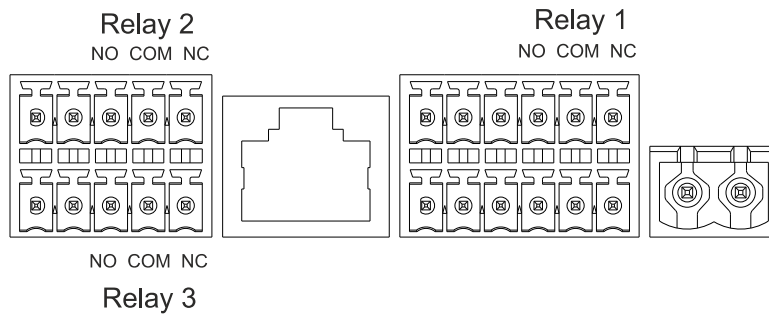
For this way of protection, we recommend a diode 1A / 200V (included in the accessories) connected antiparallel to the device



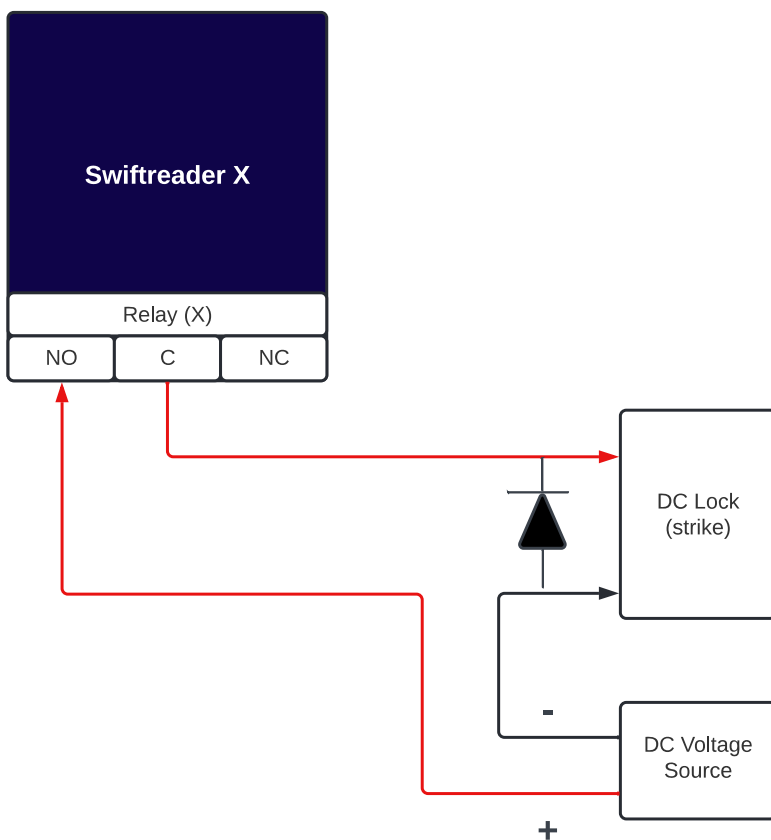
NOTES

- Power supply: 12-24V DC or POE+ (IEEE 802.3at, 25 Watt min)
- Ethernet cable required - supported types cat5e, cat6
- WiFi connection is not supported
- Stable internet connection required - If connection is not stable, a cellular backup router can be provided by Swiftlane
- Ethernet supports just data or data + power (POE+ IEEE 802.3at)
- Only DC strikes can be used with the built in relays

Connecting to DC Door Lock with Built in Relays



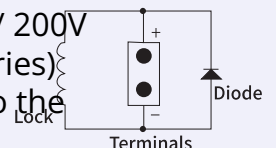
Required cable: 18-22 AWG
Recommended: shielded



WARNING

When you connect a device containing a coil, such as a relay or an electromagnetic lock, it is necessary to protect the intercom against voltage peaks while switching off the induction load.

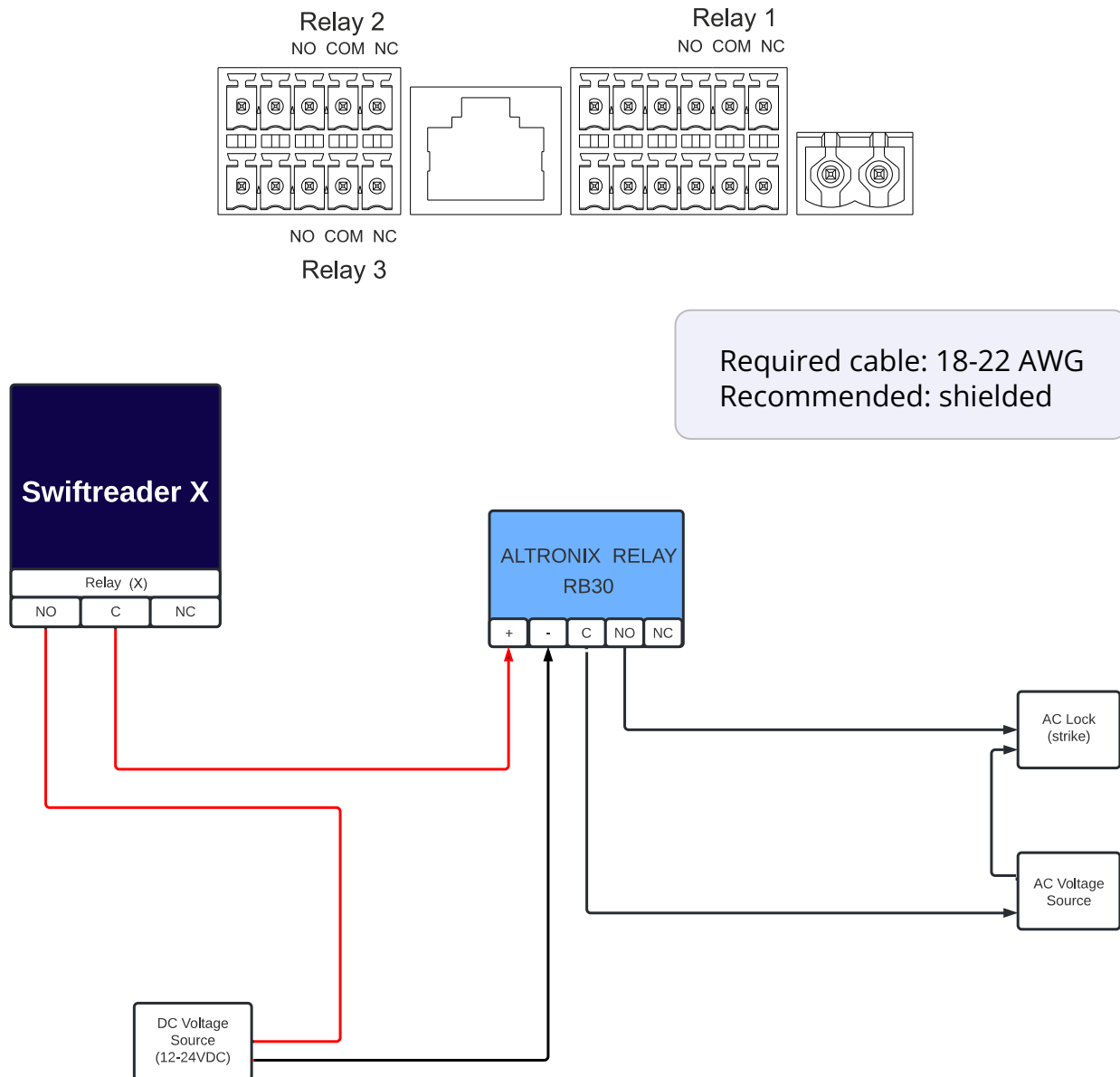
For this way of protection we recommend a diode 1A / 200V (included in the accessories) connected antiparallel to the device



NOTES

- Economic solution - Installation without a Door controller unit
- Built in relays are dry contacts
- Up to 3 DC strikes can be used with the built in relays
- Only DC strikes are supported
- Rated load of relay contacts: 3A, 30VDC
- Less secure since relays are not on the secure side

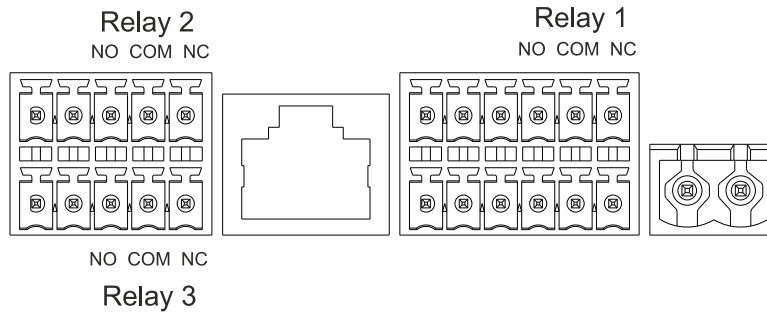
Connecting to AC Door Lock with External Relay Board RB30



NOTES

- The built-in relays are not designed for AC locks, use an external isolation relay
- Economic solution to connect existing AC lock without a Door controller unit
- Altronix RB30 - <https://www.altronix.com/products/RB30>

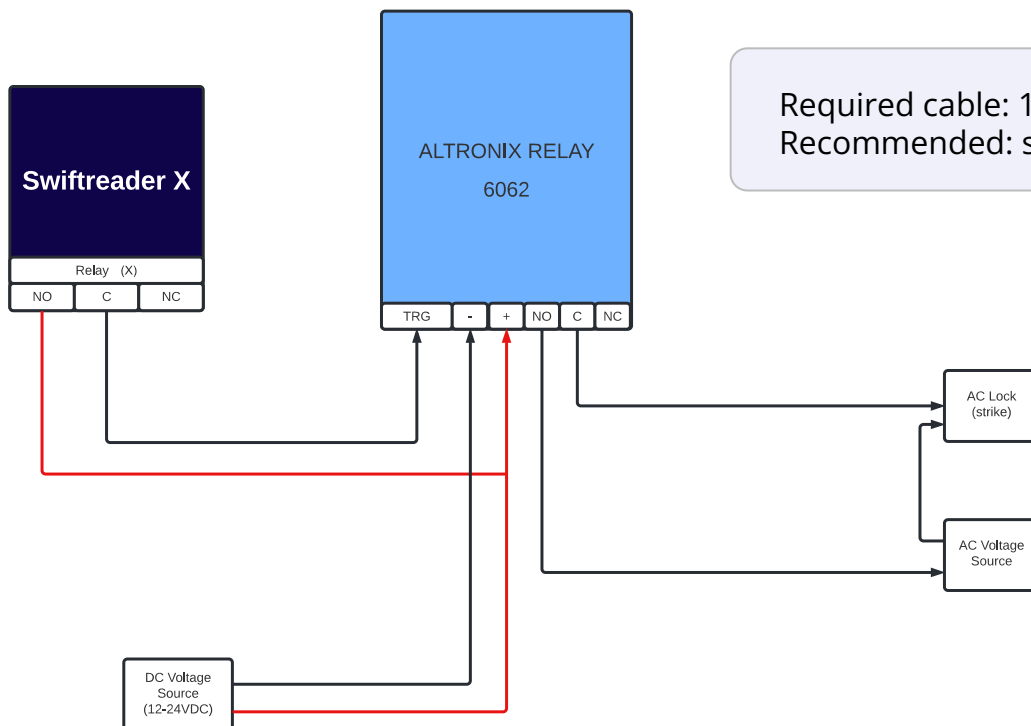
Connecting to AC Door Lock with External Relay Board 6062



DIP switches must be set according to the supplied Voltage

Please check instructions:

https://www.altronix.com/library/pdf/installation_instructions/6062.pdf

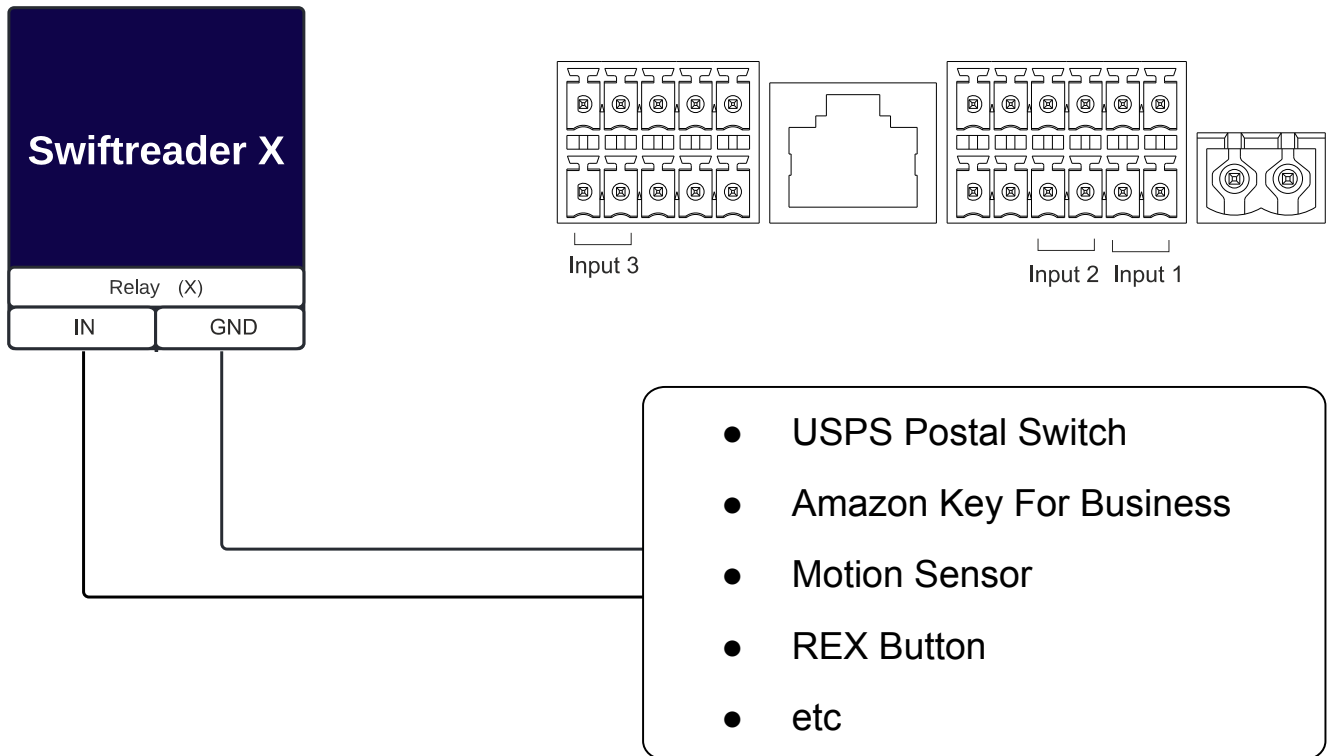


Required cable: 18-22 AWG
Recommended: shielded

NOTES

- Economic solution to connect existing AC lock without a Door controller unit
- Altronix 6062 - <https://www.altronix.com/products/6062>

USPS Postal Switch, Amazon Key For Business, Motion Sensors, etc



REX INPUT TO RELAY MAPPING

Map any third party input to trigger any relay/s. For example, postal button to exit, motion sensor, Fire Alarms, etc.

REX INPUT

RELAYS MAPPED

REX INPUT1

Relay 1 10 sec

Relay 2 10 sec

Relay 3 10 sec

REX INPUT2

Relay 1 10 sec

Relay 2 10 sec

Relay 3 10 sec

REX INPUT3

Relay 1 10 sec

Relay 2 10 sec

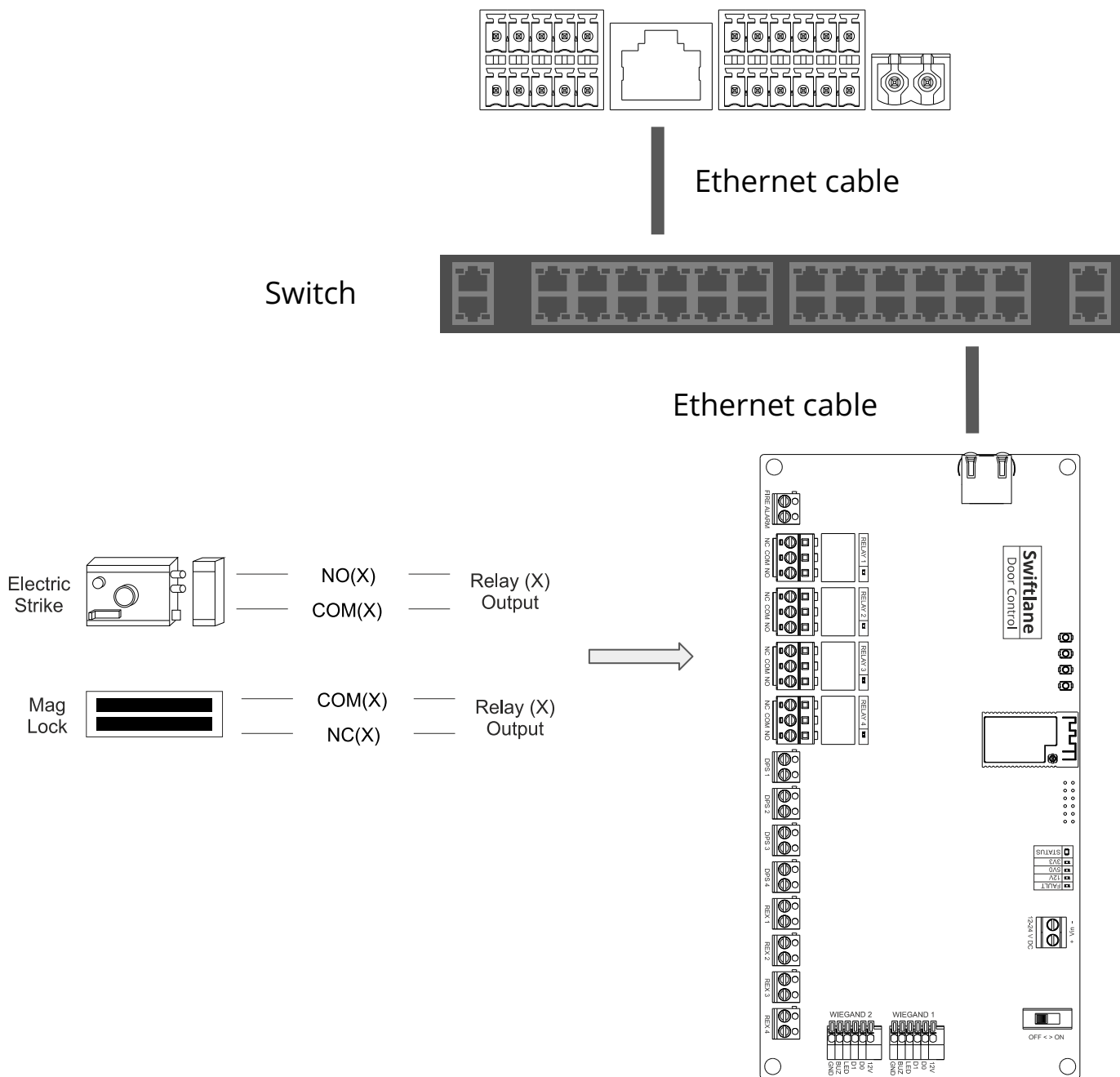
Relay 3 10 sec

Save

NOTES

- Connect dry contact relays from any external postal switch, Amazon Key For Business or Motion Sensor to one of the general purpose dry contact inputs.
- Access to USPS can be given through a unique PIN, so postal switch is not required.
- Once the wires are connected, it's important to enable the inputs on the admin dashboard. Go to admin.swiftlane.com -> Hardware -> Swiftreader X and enable REX Inputs.
- Inputs can only trigger "built in relay outputs", not external relays from Door Controller Unit

Connecting to Door Locks with External Door Controller Unit



NOTES

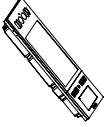


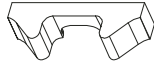
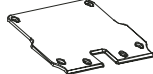
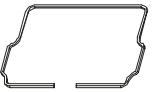
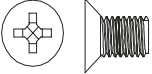
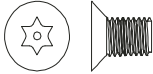

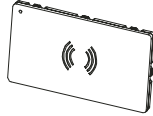
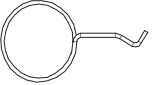

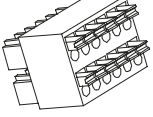
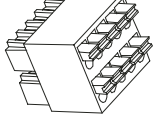
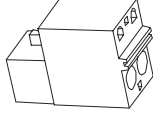

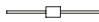
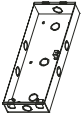

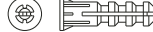
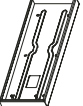

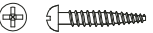

- [DCU](#) relays are located on the inside, on the secure side of the building
- [DCU](#) relays are more expensive, since you need to purchase DCU hardware, power supply and additional installation needs to be performed
- The DCU board can also support 2 wiegand key card /fob readers, as well as elevator support and fire alarm inputs

- Please refer to a separate document for instructions on:
<https://www.swiftlane.com/swiftlane-installation-manual/>



Installation - Unpacking

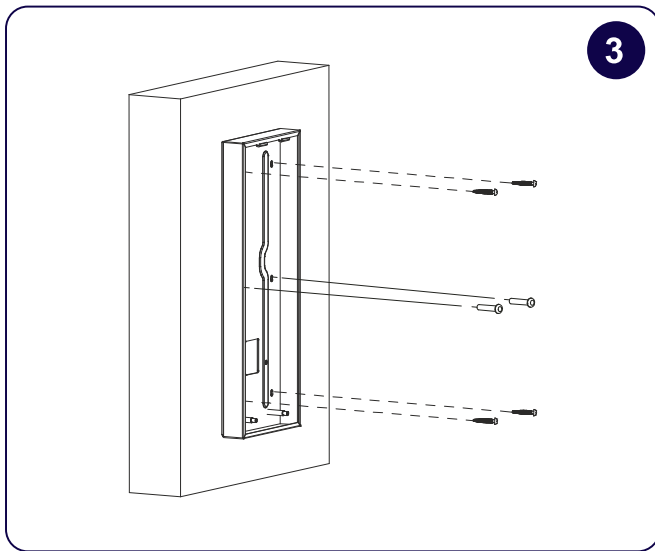
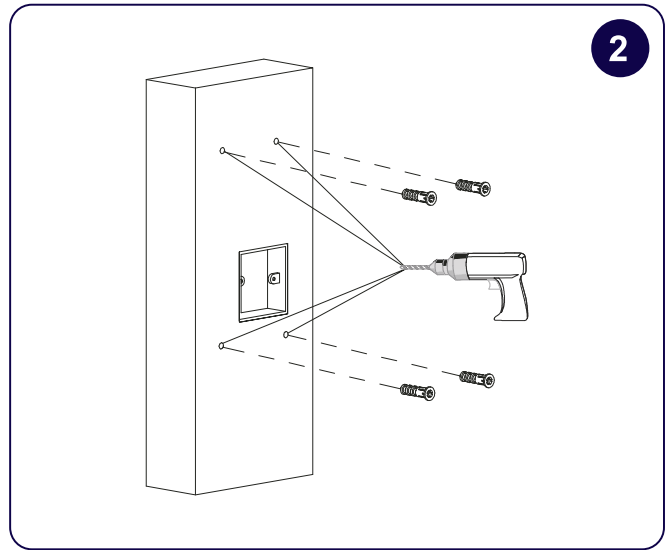
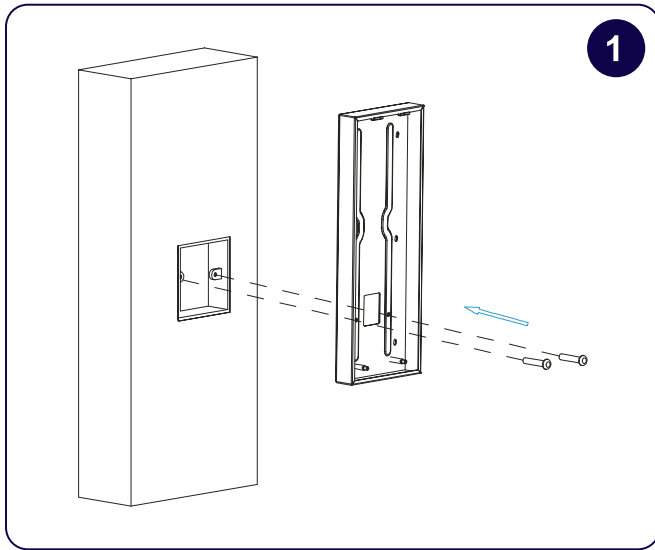
Before using the device, please check the version you obtained and ensure that the following items are included in the shipped box:

 1x Swiftreader X	 2x Rubber PLUG (SMALL)	 2x Rubber PLUG (MEDIUM)	 2x Rubber PLUG (LARGE)	 1x BACK COVER
 1x SILICON RUBBER SEALING RING	 6x M3x4 SCREW	 2x SECURITY SCREW (TORX)	 1x TORX WRENCH	 1x CARD READER TOUCH PLATE
 1x PLATE REMOVAL KEY	 1x ROPE	 1x 2x6 TERMINAL BLOCK	 1x 2x5 TERMINAL BLOCK	 1x 2 PIN TERMINAL BLOCK
 1x PRY BAR	 3x DIODE			
 1x FLUSH MOUNT COVER	 4x ST4 x 35mm SCREW	 4x WALL ANCHOR	Flush mount kit	
 1x SURFACE MOUNT COVER	 3x M4 x 30mm SCREW	 1x ST4 x 35mm SCREW	 1x WALL ANCHOR	Surface mount kit

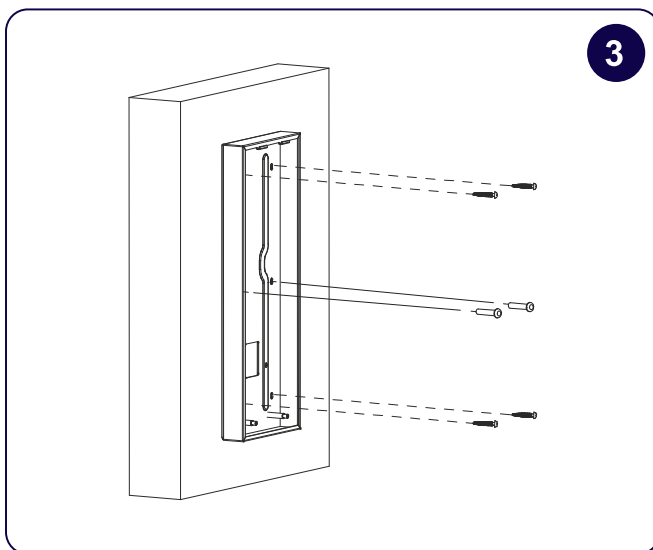
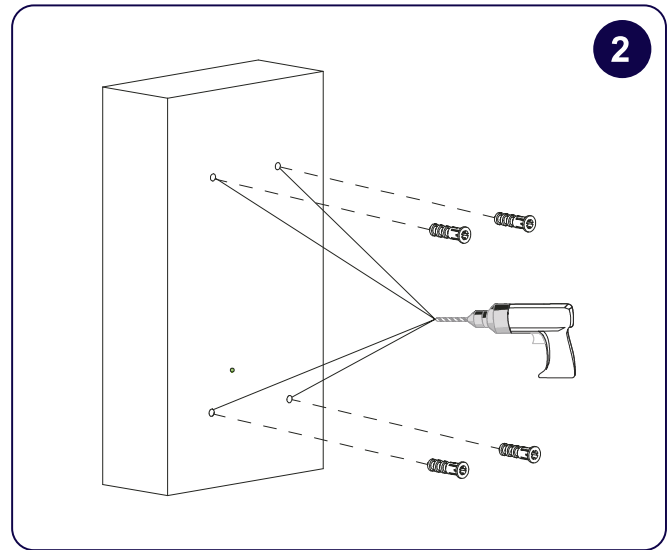
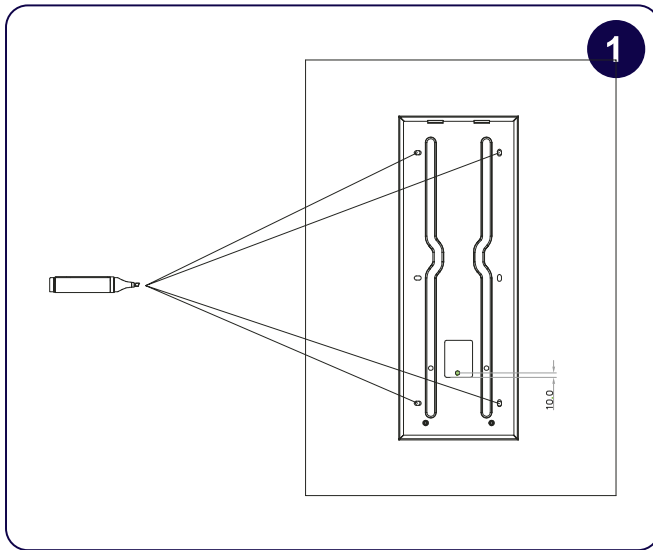
Note: please refer to separate documents for mount kits (other than surface and flush) on the installation page:
<https://www.swiftlane.com/swiftlane-installation-manual/>



Back Cover Installation - Surface Mounting with Junction Box

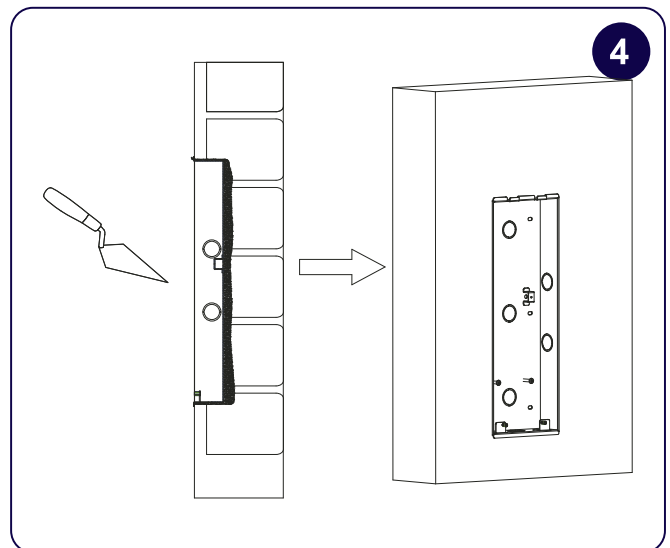
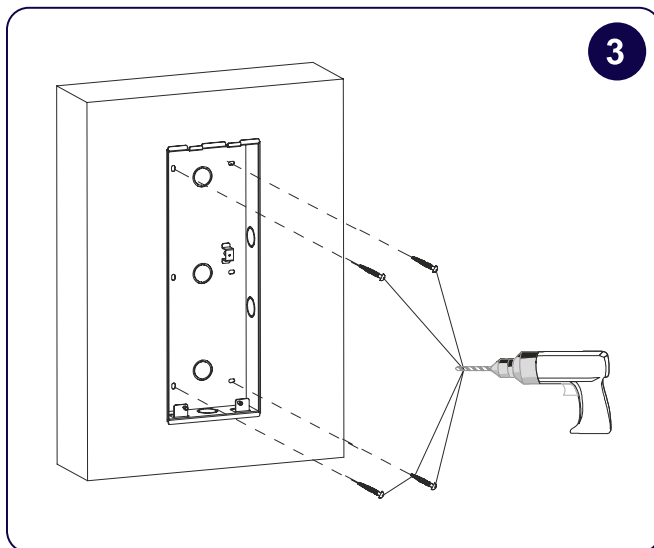
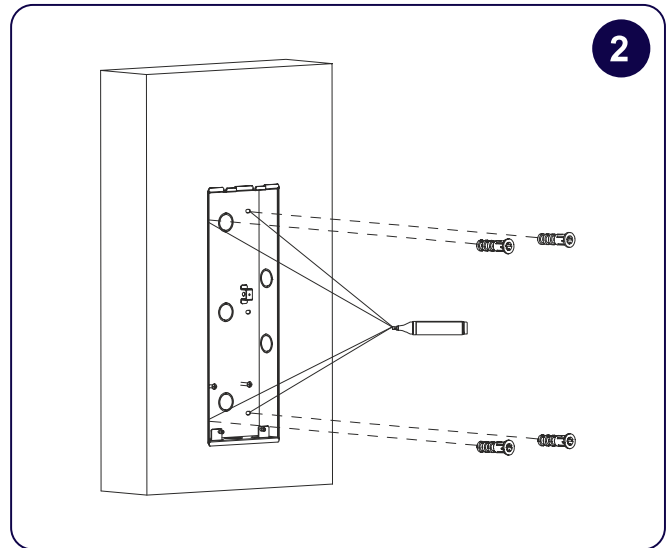
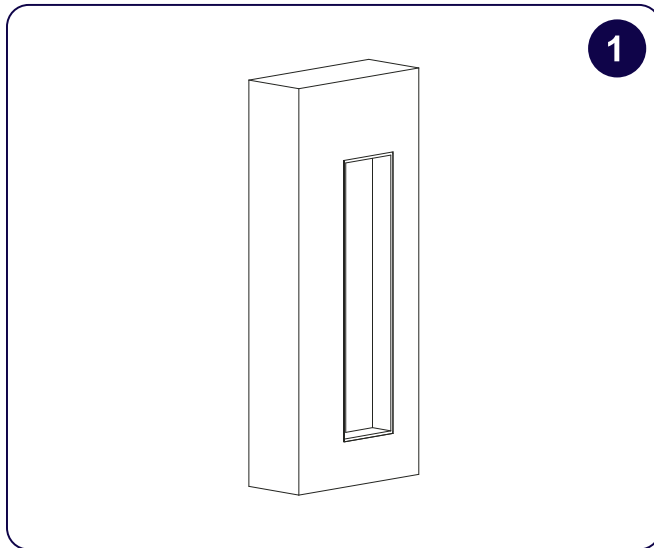


Back Cover Installation - Surface Mounting without Junction Box



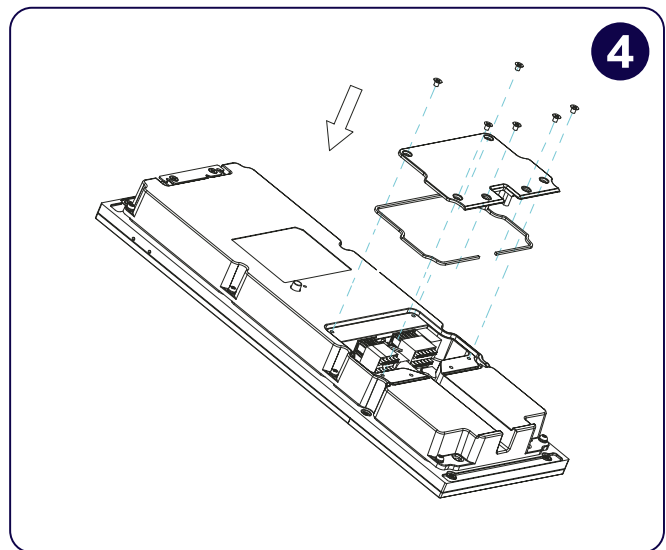
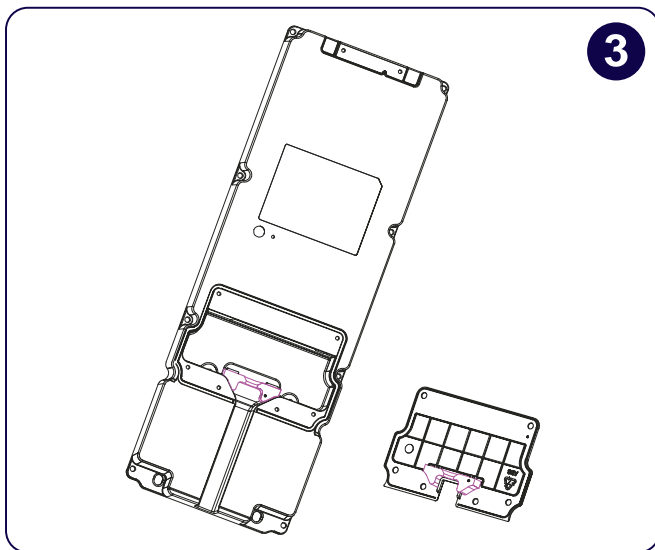
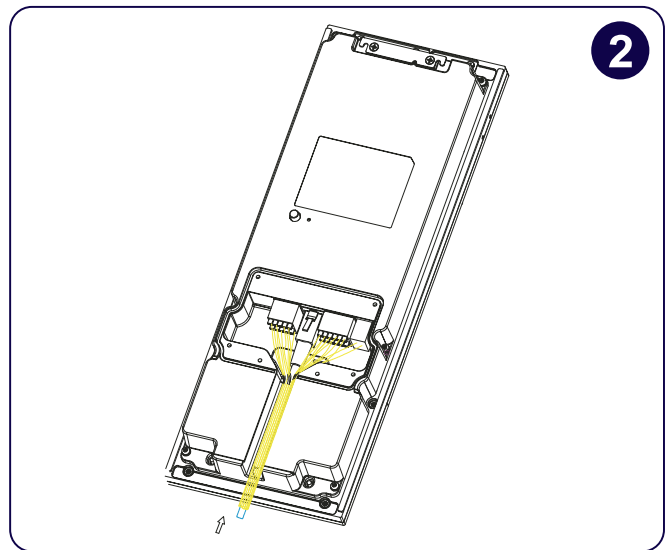
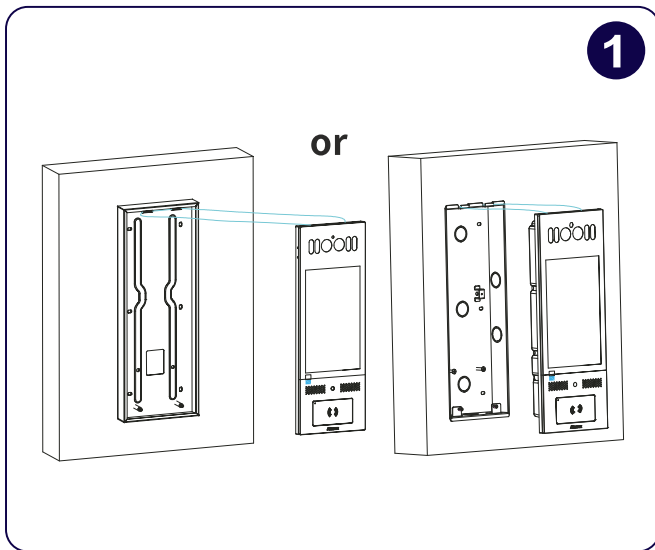
1. According to the position of the wire on the wall, put the wall-mounting box closely on to the wall and mark the four positioning holes, while making sure that relative positions between wall-mounting box and wiring hole are correct.
2. Drill the marked holes using 0.2" drill bit hand drill before inserting plastic wall anchors into the drilled holes
3. Place the wall mounting box closely against the wall while lining up its four holes with their corresponding drilled holes and then fix the wall mounting box on the wall by tightening the four ST4 x 20 screws and two M4x30 screws to the plastic wall anchors.

Back Cover Installation - Flush Mounting



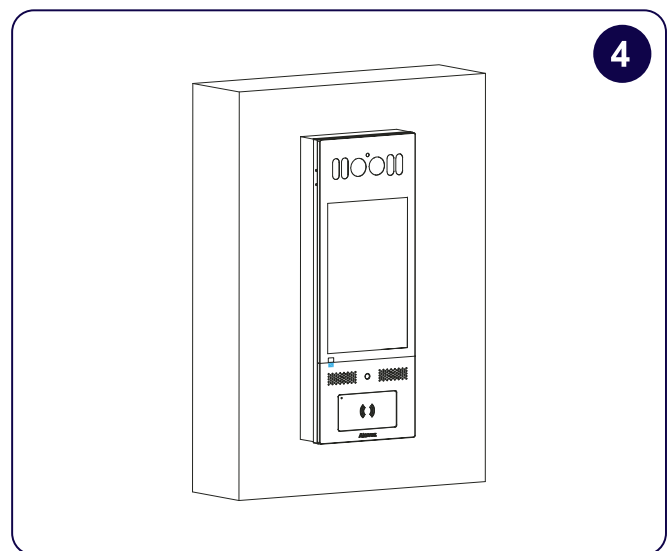
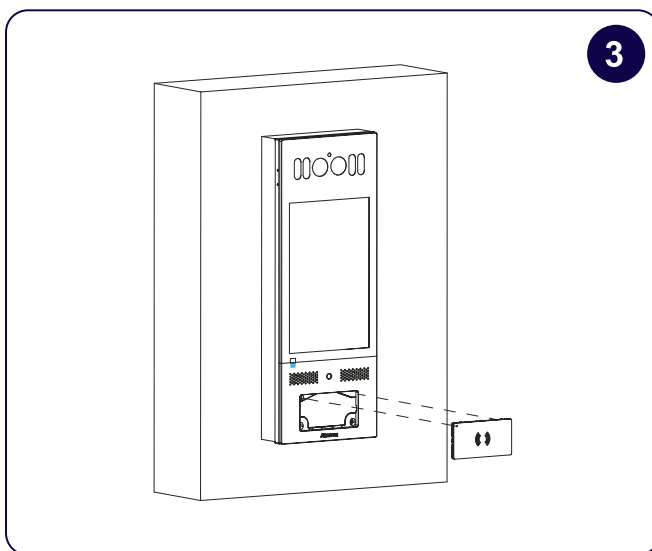
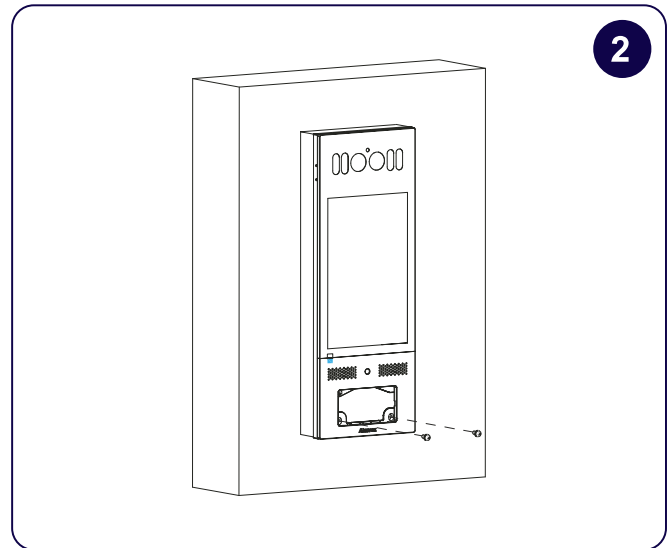
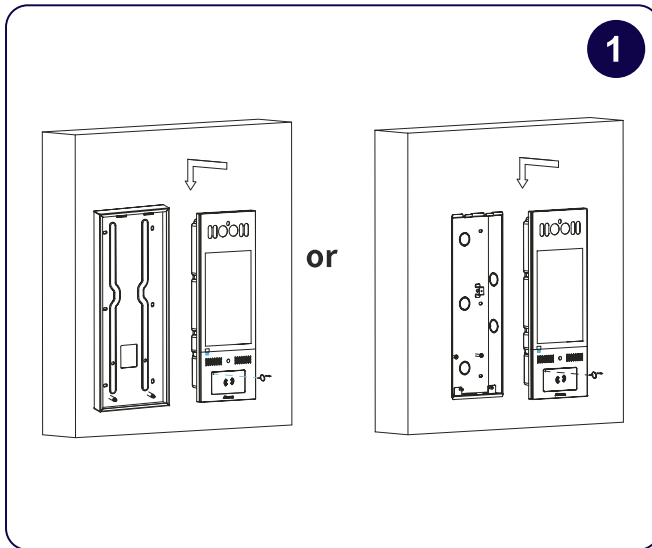
1. Cut out a square hole with the dimension (height x width x depth = 13.26 x 4.80 x 2.24 in.
2. Insert the flush-mounting box in to the hole and mark the the positions of the four holes of the flush-mounting box on the wall, then take off the box and drill the holes on the marked positions using 0.2" drill bit hand drill before inserting the plastic anchors into the drilled holes.
3. Break off the round knockout wiring holes and lead the wires through the corresponding hole in to the flush-mounting box, then press the flush-mounting box in to the square hole. The upper and lower folded edges of the flush-mounting box must fit snugly against the wall. Then fix the box using the four plastic wall anchors and the four ST4x20 screws.
4. Make sure that the flush-mounting box are well tightened and its upper and lower folded edges are fit snugly against the wall, fill in the gap between the wall and the flush-mounting box using cement or non-corrosive structural adhesive and wait until the cement is hardened before proceeding to the next step.

Connector Cover Installation



1. Hang the one end of the rope on to the square hanger on the wall-mounting / flush-mounting box then hang the other end of the rope on to the square hook on the device for the convenience of the later wire installation etc.
2. Connect the wires to the terminal blocks as needed (for details, refer to "Device Wiring"), then insert the terminal blocks into the corresponding interface of the main board as indicated in the drawing according to the number of PIN.
3. Note: The pry bar attached can be used to unplug the terminal blocks if needed.
4. Choose a suitable size rubber plug (small, large and medium) to hold down the wires, while tearing off the adhesive sticker on the selected rubber plug and stick it on to the Swiftreader X back cover and then tear off the adhesive sticker on the other rubber plug of the same size and stick it on to the back cover in the position as indicated in the drawing.
5. Press the Swiftreader X back cover silicone rubber sealing ring in to the corresponding groove as indicated by the arrow and then tighten the back cover using the six M3x4 screws to its corresponding holes.

Device Mounting



1. Take off the rope and hang the device on to the two square hangers on the wall-mounting/flush-mounting box. Stick the plate removal key into the small hole on the upper left corner of the card reader touch plate to pull out the plate.
2. Drive the two Torx screws in to their corresponding holes.
3. Press the card reader touch plate in to the card reader opening.
4. Installation is completed.

Other Components



DCU



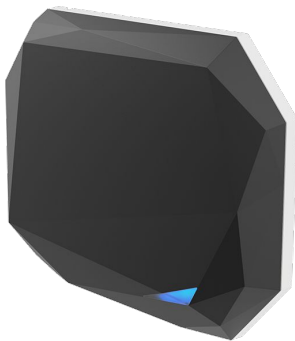
Altronix Power Supply



Wiegand Readers



Cell Routers



Garage Readers



2 Wire Adapters

Note: Please refer to the online installation manuals for other components related to the Swiftlane installation:

<https://www.swiftlane.com/swiftlane-installation-manual/>

